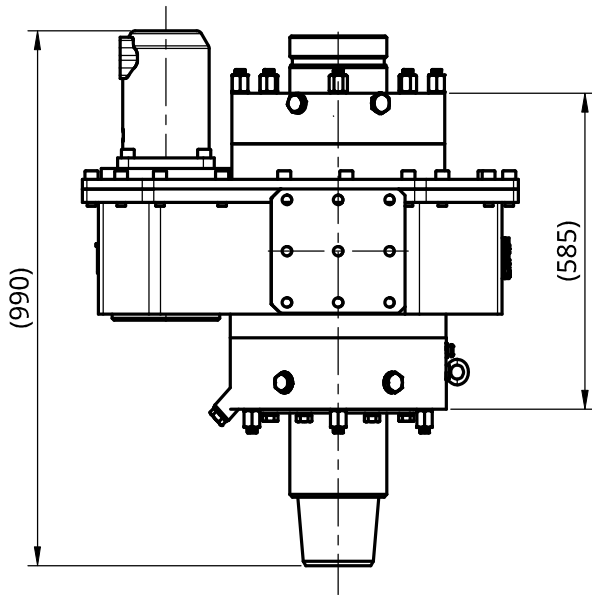


Accessories Available (Ref: Sht 2):

Top Hat complete with Wash Pipe and Mud Inlet - 40 Bar SWP; Pneumatically Operated 5" Valve ; Funnel Guide; Assistance Offered With Integration With Rig Design.



Specification:

40 Tonne Hook Load.
Industry Standard Mounting (Ease Of Swap Out).
Readily Available Components & Spares.
Wash Pipe Internal Pressure: 0 - 40 Bar Max.
Through Pass: 4-1/8" (105mm)
Approx Weight - TBC

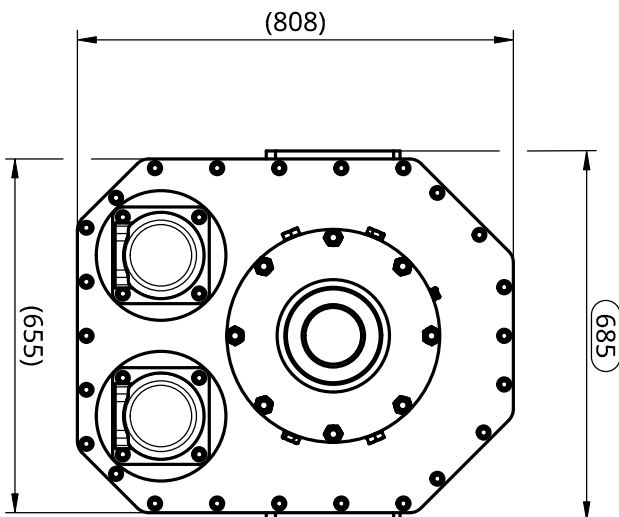
X40 Performance Anticipated:

Low Speed High Torque Motors:

Hydraulic Supply - 170 LPM @ 250 Bar (Approx 71 Kw)
35 RPM @ 14,850.00 Nm.
50 RPM Poss. - 240 LPM @ 250 Bar (Approx 100 Kw)

High Speed Low Torque Motors:

Hydraulic Supply - 170 LPM @ 250 Bar (Approx 71 Kw)
250 RPM @ 7,950 Nm.
Speed Limited To 250 RPM.

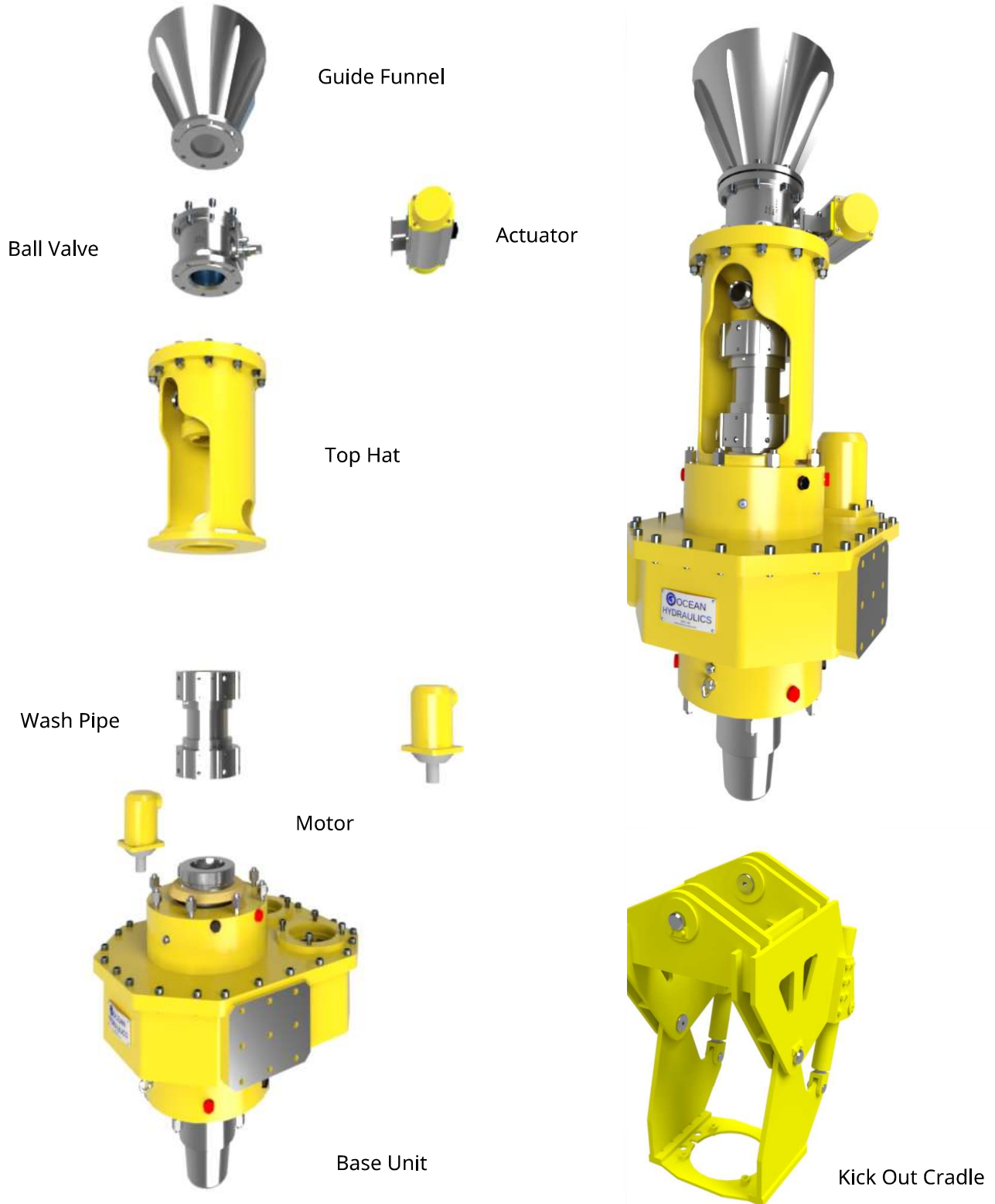


Easy Motor Swap Out - Between 'Low Speed High Torque' & 'High Speed Low Torque'.- Low Down Time @ Location

Information Presented On This Data Sheet, Shall Not Be Interpreted As An Offer Or Form Any Part Of A Contract

PART NUMBER:	X40-2025-DS1	REVISION:	1
DESCRIPTION:	X40 POWER SWIVEL - FULLY DRESSED		
MATERIAL:	API 5L:X52 & BSEN 10025 S355J2		
STANDARD:	DNV No. 2.22 Lifting Appliances		
DATE OF ISSUE:	21/10/2025	SHEET:	2 OF 2

Easily Motor Swap Out - Between 'Low Speed High Torque' & 'High Speed Low Torque'.- Low Down Time @ Location



Information Presented On This Data Sheet, Shall Not Be Interpreted As An Offer Or Form Any Part Of A Contract